

Blending | Controls | Analytics

AUTOMATIC LOADERS



TSM

Features

- Carbon steel construction
- Dacron material disk filter
- Single phase brushless motor
- Positive discharge valve
- 360° orientation flexibility
- Steep 65° cone for optimal discharge flow
- Proximity demand sensor
- Loading time control
- Visual alarm for material low level
- Designed for easy cleaning, no internal hang up points
- Pick-up wand and 10' of hose
- High volume compressed air blowback
- Filter, regulator and gauge for compressed air supply

Optional Features

- Stainless Steel Construction
- Remote Mounted Controls
- Internal dual material ratio valve
- Hi-Level proximity sensor
- Flapper discharge
- High temperature package
- Abrasive material package
- Remote mounted demand proximity sensor
- Closed loop conveying air

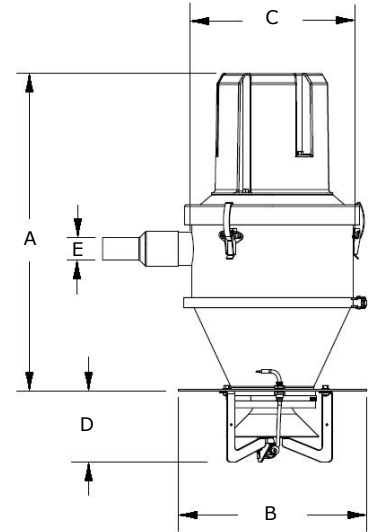
As material loading is an integral part of every production process, minimal disruption of material flow with complete control is essential. TSM offers a range of reliable and user friendly Automatic Loaders to serve your material handling needs. Our stand alone Automatic Vacuum Loaders provide fast and accurate materials handling with minimal effort.

Conveying ability ranges from a few hundred pounds up to 1,000 pounds per hour. The integrated Ratio models include two inlet ports with controls for ratio loading from multiple sources. These loaders are shipped ready to use, complete with flexible conveying hose, clamps and pick-up wands.



AUTOMATIC LOADERS

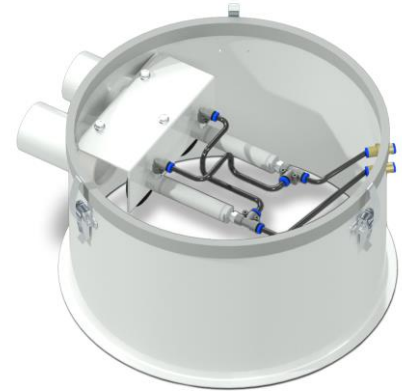
Model	TVL-0802	TVL-1205	TVL-1210
Capacity (cuft)	0.2	0.5	1.0
Height 'A' (in)	21	23	30
Flange Diameter 'B' (in)	10	14	14
Body Diameter 'C' (in)	8	12	12
Discharge Height 'D' (in)	5	5.25	5.25
Line Size (in)	1.75	1.75	1.75
Throughput (Lbs/hr)	350	700	1000
Vacuum Motor (HP)	1.2	1.2	1.2



Lid with Brushless Integral Motor



Positive Sealing Discharge Valve



Optional Ratio Valve Inlet

European Office

TSM
Ard Easmuinn, Dundalk,
Co. Louth, Ireland

Tel: +353-42-9335560
Fax: +353-42-9334422

General Info:
info@tsm-controls.com
Sales:
sales@tsm-controls.com
Support:
service@tsm-controls.com

North America Regional Offices

TSM Inc.
1505 Johnson Ferry Road
Marietta, GA 30062, USA

Tel: (770)886-6630
Fax: (770)886-2395

General Info:
Info@us.tsm-controls.com
Sales:
sales@us.tsm-controls.com
Support:
service@us.tsm-controls.com

TSM Inc.
1404 Joliet Road
Romeoville, IL 60446, USA

Asia-Pacific Regional Office

TSM Taiwan
Siangshang Street
Taichung City, Taiwan

Tel: +886-4-24728185
Fax: +886-4-24728180

General Info:
info@tsm-controls.com.tw
Sales:
sales@tsm-controls.com.tw
Support:
service@tsm-controls.com.tw

China Regional Office

TSM China
Room 2423, IPC Center, No. 983
East HuangPu AVE, HuangPu District
GuangZhou City 510000, China

Tel: +86-20-86266016
Fax: +86-20-86266015

General Info:
china@tsm-controls.com
Sales:
china@tsm-controls.com
Support:
china@tsm-controls.com