

Blending | Controls | Analytics

TSM

ADDITIVE FEEDER

Advanced Feeding Solutions



Features

- Brushless AC inverter drive
- NEMA 4 enclosure
- Digital display (3 digit)
- Tach follower function (0-2 mA analog signal) (4-20 mA analog signal) (0- 10 VDC analog signal)
- Injection control (dry contact needed on injection machine)
- Cut-out for loader mounting

TSM's additive feeder meters colorants/additives directly into injection, blowmolding machines and extruders. The unit is a self-contained, highly versatile metering system for precise introduction of free-flowing plastics colorants or additives to base resins as they flow into your processing machine throat. A variable-speed, A.C. motor powers a selected metering auger that volumetrically feeds colorants or additives upon a signal from either the injection or blow molding machine cycle, or in conjunction with extruder speed.

SHIPPED READY-TO-RUN

A colorant/additive supply hopper is provided which can be automatically loaded or hand filled. The hopper and metering auger mount on a special throat adapter. The hopper can be removed easily for cleaning. The throat adapter mounts between the material hopper and the machine throat. Two units can feed through one adapter. By simply bolting two throat adapters together, multiple metering units can be mounted on one machine. This arrangement provides for different additives to be fed at one time, or provides nearly instant color changes on a single machine without shut down for cleaning.

FAST, EASY AUGER AND COLOR CHANGES

The drive motor unclamps and swings out on a hinged mounting for easy access to the motor-driven auger. The operator can quickly change auger size for specific applications. A clean out door is provided on the high-grade alloy, cast aluminum base for quick emptying of the supply hopper. Spectra's supply hopper is quickly emptied through a clean out door for material changes. When the door is opened, the metering auger is disengaged as a safety precaution. A similar door is provided under the discharge end of the auger for sampling calibration. A safety grill is provided in the metering port.

www.tsm-controls.com

ADDITIVE FEEDER



ACV BRUSHLESS DRIVE

The ACV brushless drive gives the flexibility of RPM and torque combinations, packaged with a premium variable frequency inverter drive for precise control and a customized metering throughput.

Integration of features such as brushless, RPM, torque and throughput make this package a preferred choice to the most demanding processor.

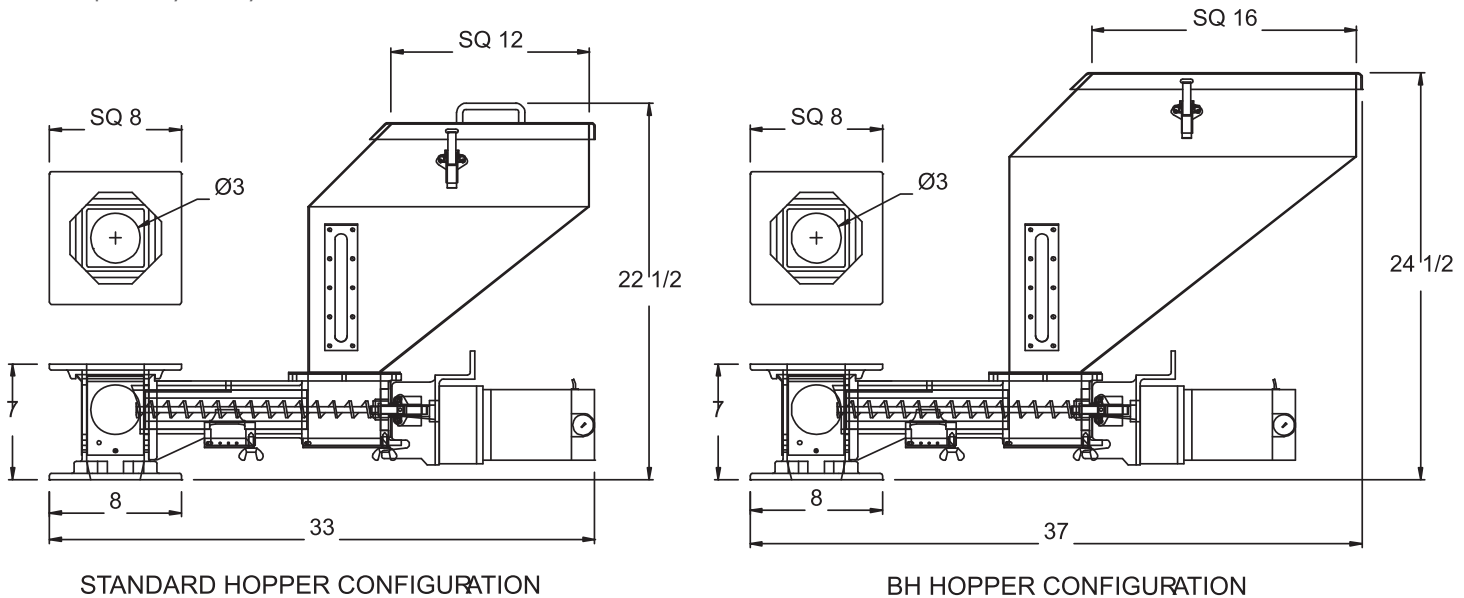


| SPECIFICATIONS | | | | | |
|----------------|-----|---------|-----------------|-----------------|--------------------|
| Model | HP | Max RPM | Torque (Lb-in.) | Max Throughput* | Max auger diameter |
| 6ACV | 1/6 | 50 | 270 | 55 Lb/hr | 1" |
| 7ACV | 3/8 | 130 | 167 | 1135 Lb/hr | 2" |
| 8ACV | 3/8 | 250 | 115 | 1700 Lb/hr | 2" |

*Based on material bulk density of 35 Lb/cuft

BH OPTION

For applications requiring larger through puts, the BH hopper option provides double the capacity (2 Cuft) of the standard hopper and will adapt easily to any of our loaders.



| European Office | North America Regional Offices | Asia-Pacific Regional Office | China Regional Office |
|--|--|--|--|
| <p>TSM Ard Easmuinn, Dundalk, Co. Louth, Ireland</p> <p>Tel: +353-42-9335560 Fax: +353-42-9334422</p> <p>General Info: Info@tsm-controls.com Sales: sales@tsm-controls.com Support: service@tsm-controls.com</p> | <p>TSM Inc. 1505 Johnson Ferry Road Marietta, GA 30062, USA</p> <p>Tel: (770)886-6630 Fax: (770)886-2395</p> <p>General Info: Info@us.tsm-controls.com Sales: sales@us.tsm-controls.com Support: service@us.tsm-controls.com</p> | <p>TSM Taiwan Siangshang Street Taichung City, Taiwan</p> <p>Tel: +886-4-24728185 Fax: +886-4-24728180</p> <p>General Info: info@tsm-controls.com.tw Sales: sales@tsm-controls.com.tw Support: service@tsm-controls.com.tw</p> | <p>TSM China Room 2423, IPC Center, No. 983 East HuangPu AVE, HuangPu District GuangZhou City 510000, China</p> <p>Tel: +86-20-86266016 Fax: +86-20-86266015</p> <p>General Info: china@tsm-controls.com Sales: china@tsm-controls.com Support: china@tsm-controls.com</p> |