

Specialists in Gravimetric Blending & Controls

OPTIMIX-300 Series

Advanced Dosing Solutions

TSM



Benefits

- High Accuracy Dispensing up to 0.01% of Batch
- Product Consistency
- Increased Regrind Usage
- Continuous Homogeneous Mixing
- Faster Product Changes

User Interface

- Intuitive Simple Operator Functionality
- Comprehensive Report!/Alarm Management
- Built-in Trending & Data History Management
- Industry Standard Communication Protocols
- Material Usage / Inventory & Reports

OPTIONS

- Extrusion Control
- Off-Line Blending
- Regrind Flow Assist Devices
- Flange Adaptors
- Integrated Material Handling

The **OPTIMIX-300 Series** Batch Blender can accommodate up to four material components while providing throughput rates up to 350 kg/hr. The range of blenders utilises the patented TSM slide valve design and the patented reverse-flight auger mixing technology. This combination provides superior accuracies, blend ratios and mixing homogeneity that is not achievable by competitive systems.

All components are blended by weight based on the preset blend ratios on the microprocessor controller. Each component is metered separately into a single weigh hopper, which measures and controls their rate.

OPTIMIX-300 Series

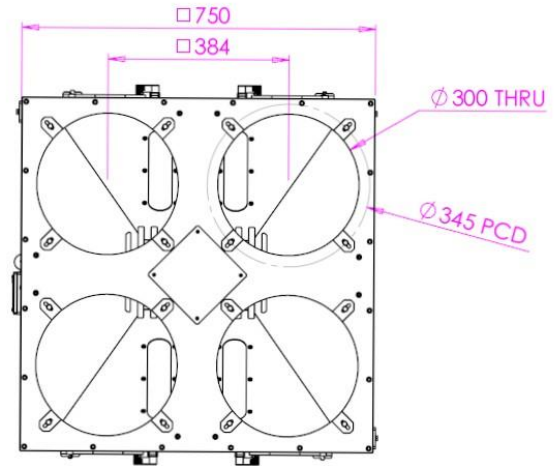
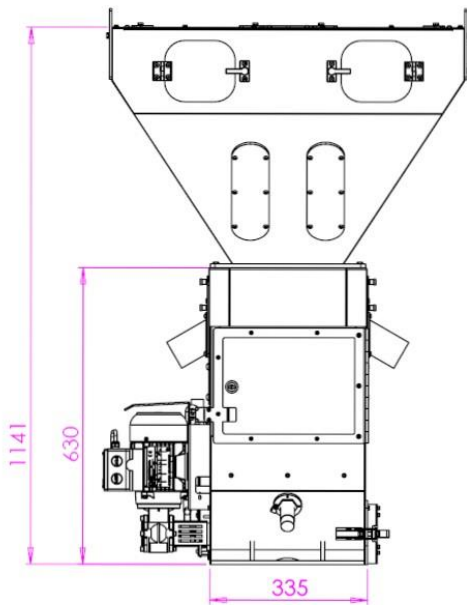
Advanced Dosing Solutions

Modular Construction:

BLENDER MODEL	STD. NO. OF	MAXIMUM COMPONENTS	STD. BATCH SIZE	STD. UNIT	EASY DRAIN	MAX. NO. OF SIDE FEEDERS	MAX MICRA-DOSE SIDE FEEDERS	MAX POWDER SIDE FEEDER (SEE NOTES)	MAX AUGER SIDE FEEDERS	LIQUID DOSING SIDE FEEDER	INTERNAL AUTO-CLEAN	BIN BLOW DOWN AUTO-CLEAN	MATERIAL BYPASS AUTO-CLEAN	AUTO EASY-DRAIN	AUTO EASY-DRAIN
OPTIMIX-300	4	6	2.0kg	350 kg/hr	Yes	2	2	0	2	N/a	OPT	OPT	OPT	OPT	OPT

Environmental:

Blender Weight	(kg / lb)	130 / 286
Max Ambient Operating Temp	(°C / °F)	50 / 122
Max Material Temp	(°C / °F)	70 / 158
Max Optional Material Temp	(°C / °F)	130 / 266
Mix Chamber Discharge Hole	(mm / ")	50 / 2.0



European Office (Headquarters)

TSM
Ard Easmuinn, Dundalk,
Co. Louth, Ireland.

Tel: +353-42-9335560

General Info:
info@tsm-controls.com
Sales:
sales@tsm-controls.com
Support:
service@tsm-controls.com

North America Regional Offices

TSM Inc.
1505 Johnson Ferry Road
Marietta, GA 30062, USA.

TSM Inc.
1404 Joliet Road,
Romeoville, IL 60446, USA.

Tel: (770) 886-6630

General Info:
info@us.tsm-controls.com
Sales:
sales@us.tsm-controls.com
Support:
service@us.tsm-controls.com

Asia-Pacific Regional Office

TSM Taiwan
Taichung City, Taiwan,

Tel: +886-4-24728185

General Info:
info@tsm-controls.com.tw
Sales:
sales@tsm-controls.com.tw
Support:
service@tsm-controls.com.tw

China Regional Office

TSM China
Room 2423, IPC Center, No. 983,
East HuangPu AVE, HuangPu District,
GuangZhou City 510000, China.

Tel: +86-139-25062596

General Info:
china@tsm-controls.com
Sales:
china@tsm-controls.com
Support:
china@tsm-controls.com