

Specialists in Gravimetric Blending & Controls

# OPTIMIX-200 Series

Advanced Dosing Solutions

# TSM



## Benefits

- High Accuracy Dispensing up to 0.01% of Batch
- Product Consistency
- Increased Regrind Usage
- Continuous Homogeneous Mixing
- Faster Product Changes

## User Interface

- Intuitive Simple Operator Functionality
- Comprehensive Report!/Alarm Management
- Built-in Trending & Data History Management
- Industry Standard Communication Protocols
- Material Usage / Inventory & Reports

## OPTIONS

- Extrusion Control
- Off-Line Blending
- Regrind Flow Assist Devices
- Flange Adaptors
- Integrated Material Handling

The **OPTIMIX-200 Series** Batch Blender can accommodate up to four material components while providing throughput rates up to 200 kg/hr. The range of blenders utilises the patented TSM slide valve design and the patented reverse-flight auger mixing technology. This combination provides superior accuracies, blend ratios and mixing homogeneity that is not achievable by competitive systems.

All components are blended by weight based on the preset blend ratios on the microprocessor controller. Each component is metered separately into a single weigh hopper, which measures and controls their rate.



Specialists in Gravimetric Blending & Controls

# OPTIMIX-200 Series

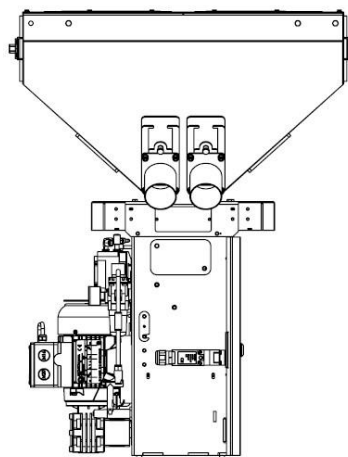
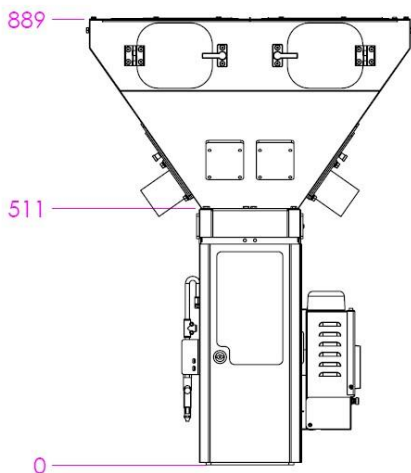
Advanced Dosing Solutions

**Modular Construction:**

| BLENDER MODEL | STD. NO. OF COMPONENTS | MAXIMUM BATCH SIZE | STD. UNIT | EASY DRAIN | MAX. NO. OF SIDE FEEDERS | MAX MICRA-DOSE SIDE FEEDERS | MAX POWDER SIDE FEEDER (SEE NOTES) | MAX AUGER SIDE FEEDERS | LIQUID DOSING SIDE FEEDER | INTERNAL AUTO-CLEAN | BIN BLOW DOWN AUTO-CLEAN | MATERIAL BYPASS AUTO-CLEAN | EASY-DRAIN | AUTO EASY-DRAIN |
|---------------|------------------------|--------------------|-----------|------------|--------------------------|-----------------------------|------------------------------------|------------------------|---------------------------|---------------------|--------------------------|----------------------------|------------|-----------------|
| OPTIMIX-100   | 4                      | 6                  | 1.2kg     | 200 kg/hr  | No                       | 2                           | 0                                  | N/A                    | N/A                       | N/A                 | N/A                      | N/A                        | N/A        | N/A             |

**Environmental:**

|                            |           |           |
|----------------------------|-----------|-----------|
| Blender Weight             | (kg / lb) | 50 / 110  |
| Max Ambient Operating Temp | (°C / °F) | 50 / 122  |
| Max Material Temp          | (°C / °F) | 70 / 158  |
| Max Optional Material Temp | (°C / °F) | 130 / 266 |
| Mix Chamber Discharge Hole | (mm / ")  | 50 / 2.0  |



|  |   |  |  |
|--|---|--|--|
| <p><b>European Office (Headquarters)</b></p> <p><b>TSM</b><br/>Ard Easmuinn, Dundalk,<br/>Co. Louth, Ireland.</p> <p><b>Tel:</b> +353-42-9335560</p> <p><b>General Info:</b><br/>info@tsm-controls.com<br/><b>Sales:</b><br/>sales@tsm-controls.com<br/><b>Support:</b><br/>service@tsm-controls.com</p> | <p><b>North America Regional Offices</b></p> <p><b>TSM Inc.</b><br/>1505 Johnson Ferry Road<br/>Marietta, GA 30062, USA.</p> <p><b>TSM Inc.</b><br/>1404 Joliet Road,<br/>Romeoville, IL 60446, USA.</p> <p><b>Tel:</b> (770) 886-6630</p> <p><b>General Info:</b><br/>info@us.tsm-controls.com<br/><b>Sales:</b><br/>sales@us.tsm-controls.com<br/><b>Support:</b><br/>service@us.tsm-controls.com</p> | <p><b>Asia-Pacific Regional Office</b></p> <p><b>TSM Taiwan</b><br/>Taichung City, Taiwan,</p> <p><b>Tel:</b> +886-4-24728185</p> <p><b>General Info:</b><br/>info@tsm-controls.com.tw<br/><b>Sales:</b><br/>sales@tsm-controls.com.tw<br/><b>Support:</b><br/>service@tsm-controls.com.tw</p> | <p><b>China Regional Office</b></p> <p><b>TSM China</b><br/>Room 2423, IPC Center, No. 983,<br/>East HuangPu AVE, HuangPu District,<br/>GuangZhou City 510000, China.</p> <p><b>Tel:</b> +86-139-25062596</p> <p><b>General Info:</b><br/>china@tsm-controls.com<br/><b>Sales:</b><br/>china@tsm-controls.com<br/><b>Support:</b><br/>china@tsm-controls.com</p> |
|--|---|--|--|