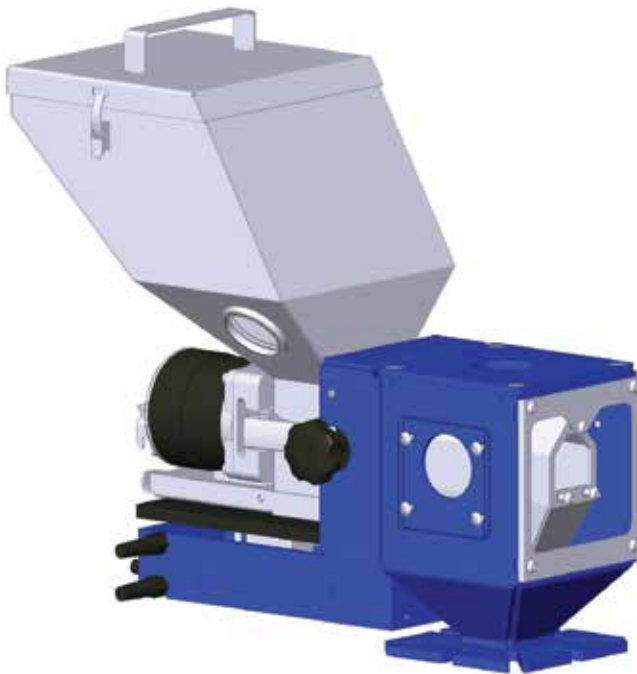


Blending | Controls | Analytics

OPTIFEED

In-Line Gravimetric
Additive Feeder



TSM

Benefits

- High Precision Dosing Control 0.01%
- Low Maintenance
- Modular Construction
- User Friendly Touchscreen
- Reliable & Consistent Performance

User Interface

- Intuitive Operator Functionality
- Comprehensive Report/Alarm Management
- Built-in Trending & Data History Management
- Industry Standard Communication Protocols

Opti-Feed OPTIONS

- Micro Dosing Rates
- Regrind Dosing
- Powder Dosing
- High Output Dosing rates

TSM's OPTI-FEED's unique design, employing the patented dosing cylinder combined with stepper motor, ensures that the additive is metered evenly and extremely accurately. The dosing cylinder eliminates any pulsation during metering into the main plastic stream, thus offering maximum control of the process and better consistency in the end product.

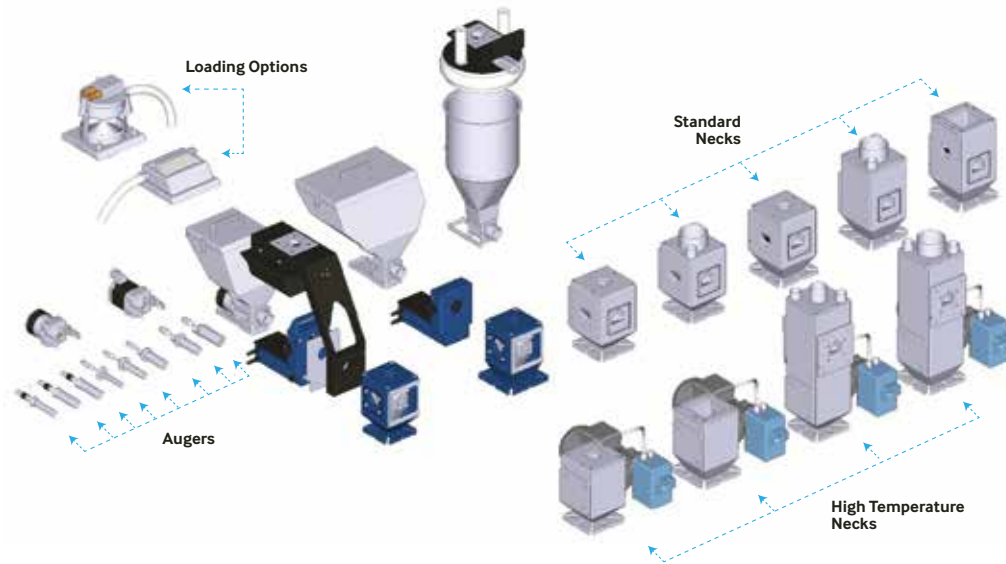
- Prevents additives becoming lodged between mechanical parts, i.e. less downtime and efficient use of expensive additives.
- Actively prevents pulsating, i.e. guarantees consistent output.
- Reduces additive usage due to its superior metering characteristics - direct cost reduction.
- Dosing rate ranges from 70g/hr (0.15 lb/hr) to 180kg/hr (1.72lb/hr). Higher torque motors available for metering large quantities of material.



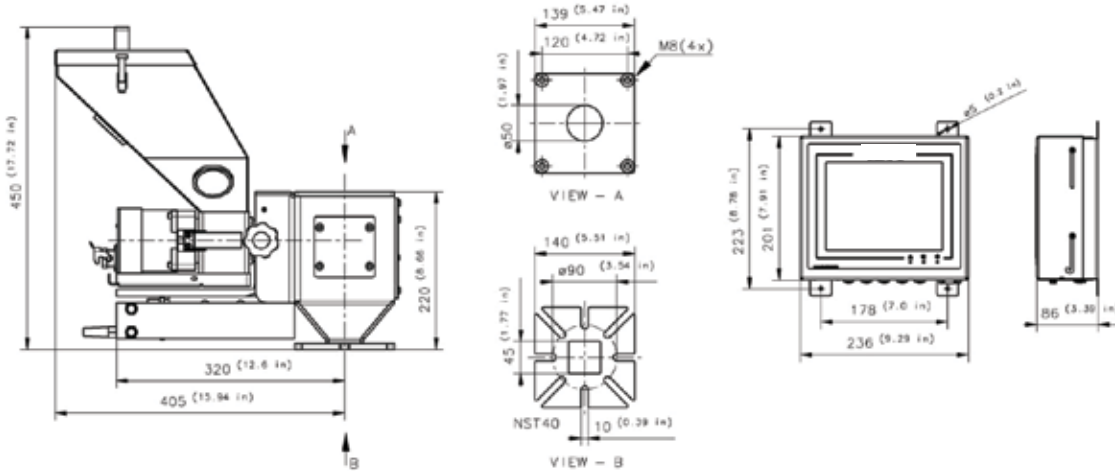
OPTIFEED

In-Line Gravimetric Additive Feeder

Modular Construction:



Dimensional Drawing:



European Office	North America Regional Offices	Asia-Pacific Regional Office	China Regional Office
<p>TSM Ard Easmuinn, Dundalk, Co. Louth, Ireland</p> <p>Tel: +353-42-9335560 Fax: +353-42-9334422</p> <p>General Info: info@tsm-controls.com Sales: sales@tsm-controls.com Support: service@tsm-controls.com</p>	<p>TSM Inc. 1505 Johnson Ferry Road Marietta, GA 30062, USA</p> <p>Tel: (770)886-6630 Fax: (770)886-2395</p> <p>General Info: info@us.tsm-controls.com Sales: sales@us.tsm-controls.com Support: service@us.tsm-controls.com</p>	<p>TSM Inc. 1404 Joliet Road Romeoville, IL 60446, USA</p> <p>TSM Taiwan Siangshang Street Taichung City, Taiwan</p> <p>Tel: +886-4-24728185 Fax: +886-4-24728180</p> <p>General Info: info@tsm-controls.com.tw Sales: sales@tsm-controls.com.tw Support: service@tsm-controls.com.tw</p>	<p>TSM China Room 2423, IPC Center, No. 983 East HuangPu AVE, HuangPu District GuangZhou City 510000, China</p> <p>Tel: +86-20-86266016 Fax: +86-20-86266015</p> <p>General Info: china@tsm-controls.com Sales: china@tsm-controls.com Support: china@tsm-controls.com</p>