

# OPTIX

MATERIAL MANAGEMENT  
Blending | Control | Analytics

# TSM

Gravimetric Batch Blender with  
Loss-in-Weight Extrusion Control

*insightready.com*



**OPTIX** range of blenders are specifically designed for Extrusion applications and incorporates patented Insight enabled technology based on Industry 4.0 platform. With enhanced functionality across all aspects providing superior accuracies, blend ratios and mixing homogeneity not achievable by competitive systems. **OPTIX** blenders utilize **TSM** slide valve design and patented reverse-flight auger mixing technology combined with continuous Loss-in-Weight measurement. **TSM**'s extrusion control blenders combine in a unique way, accurate gravimetric batch blending with integrated extrusion control using Loss-in-Weight techniques. This results in exceptional, ultra fast throughput measurement and control of the extrusion process. **OPTIX** range can accommodate up to eight components at throughputs up to 800kg (1760 lbs) / hour).

#### Benefits

- Insight Ready
- Faster Product Changes
- Continuous Homogeneous Mixing
- Product Consistency
- High Accuracy Dispensing up to 0.01% of batch



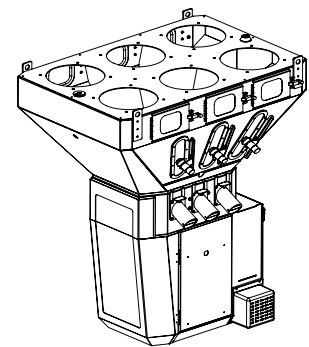
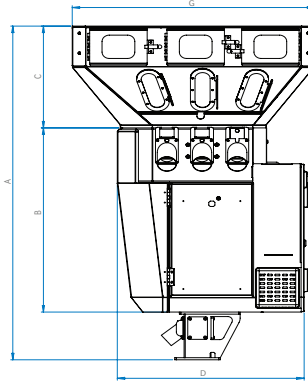
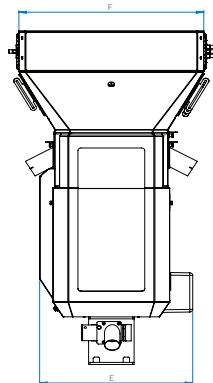
# OPTIX

## Multi Component Gravimetric Batch Blender for EXTRUSION Control

Characteristics	OPTIX 100	OPTIX 200	OPTIX 400	OPTIX 800
Reservoir Hopper Volume (L/Compartment)	15	15	23	32
Std No. Material Compartments	6	6	6	6
Optional Additional Material Compartments	0	2	2	2
Std Batch Weight Capacity (kg)/lbs	1/2.2	3/6.6	5/11	9/19.8
Mixing Motor	3	3	3	3
Motor (hp)	0.25	0.25	0.25	0.25
Motor (kW)	0.18	0.18	0.18	0.18
Blender Weight (kg)	60	70	75	90
Max Material Temp C	70	70	70	70
Max Optional Material Temp C	130	130	130	130

Dimensions				
A Blender Height (mm)	1259	1461	1461	1750
B Frame Height (mm)	695	765	765	967
C Hopper Bin Height (mm)	384	514	514	609
D Blender Side Width (mm)	616	616	616	616
E Blender Max Width (mm)	505	505	505	505
F Hopper Bin Front Width (mm)	610	610	610	750
G Hopper Bin Side Width (mm)	800	800	975	1129

### Standard Dimensions of OPTIX 200



#### European Office (Headquarters)

TSM  
Ard Easmuinn, Dundalk,  
Co. Louth, Ireland.

Tel: +353-42-9335560  
Fax: +353-42-9334422

General Info:  
Info@tsm-controls.com  
Sales:  
sales@tsm-controls.com  
Support:  
service@tsm-controls.com

#### North America Regional Office

TSM Inc.  
1505 Johnson Ferry Road, Suite 125,  
Marietta, GA 30062, USA.

Tel: (770)886-6630  
Fax: (770)886-2395

General Info:  
Info@us.tsm-controls.com  
Sales:  
sales@us.tsm-controls.com  
Support:  
service@us.tsm-controls.com

#### Asia-Pacific Regional Office

TSM Taiwan  
Siangshang Street  
Taichung City, Taiwan.

Tel: +886-4-24728185  
Fax: +886-4-24728180

General Info:  
info@tsm-controls.com.tw  
Sales:  
sales@tsm-controls.com.tw  
Support:  
service@tsm-controls.com.tw

#### China Regional Office

TSM China  
Guangzhou, China

Tel: +86-20-86266016  
Fax: +86-20-86266015

General Info:  
china@tsm-controls.com  
Sales:  
china@tsm-controls.com  
Support:  
china@tsm-controls.com