

Specialists in Gravimetric Blending & Controls

OPTIMIX 350

Advanced Dosing Solutions

TSM



Benefits

- Faster Product Changes
- Continuous Homogeneous Mixing
- Increased Re grind Usage
- Product Consistency
- High Accuracy Dispensing up to 0.01% of batch

User Interface

- Intuitive Simple Operator Functionality
- Comprehensive Report/Alarm Management
- Built-in Trending & Data History Management
- Industry Standard Communication Protocols

350 OPTIONS

- Extrusion Control
- Powder Dosing
- Flange Adapters
- Offline Blending
- Automatic Cleaning
- Integrated Material Handling

OPTI-MIX 350 Batch Blender can accommodate up to six components while providing throughput rates up to 350 kg/hr (770lb/hr). OPTI-MIX 350 utilizes TSM slide valve design and patented reverse-flight auger mixing technology. This combination provides superior accuracies, blend ratios and mixing homogeneity that is not achievable by competitive systems. All components are blended by weight, based on the preset blend ratios entered on the touch screen. Each component is metered separately into a single weigh hopper, which measures and controls their percentage.



Specialists in Gravimetric Blending & Controls

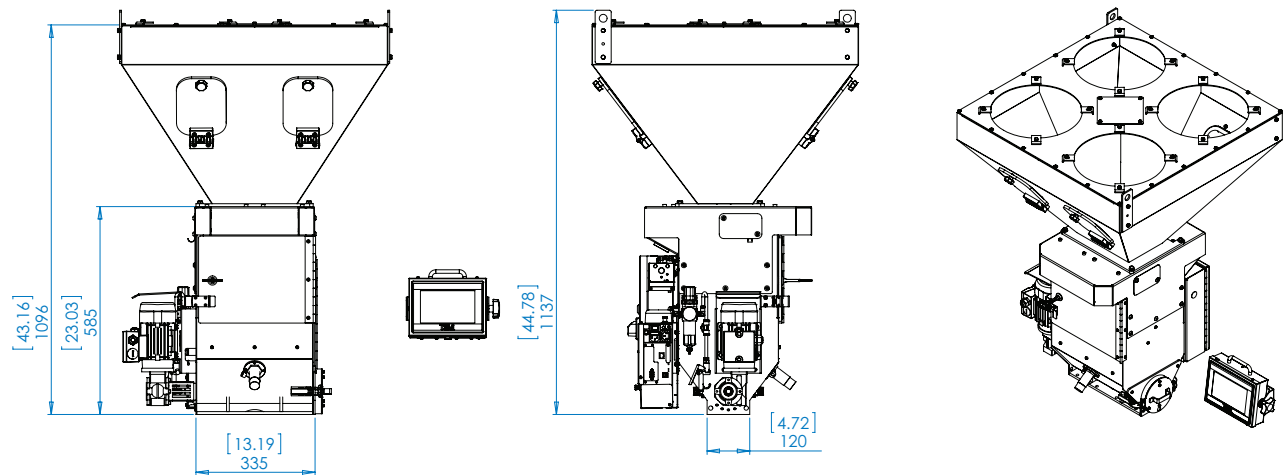
OPTIMIX 350

Advanced Dosing Solutions

| BLENDER MODEL | STD. NO. OF COMPONENTS | MAXIMUM NO. OF COMPONENTS | STD. BATCH SIZE | STD. UNIT THROUGHPUT | EASY DRAIN | MAX. NO. OF SIDE FEEDERS | MAXIMUM DOSE SIDE FEEDERS | MAX POWDER SIDE FEEDER (SEE NOTES) | MAX AUGER SIDE FEEDERS | LIQUID FLOW SIDE FEEDER | INTERNAL AUTO-CLEAN | BIN BLOW DOWN CLEAN | MATERIAL BYPASS/AUTO-CLEAN | AUTO EASY DRAIN |
|-------------------------|------------------------|---------------------------|-----------------|-----------------------|------------|--------------------------|---------------------------|------------------------------------|------------------------|-------------------------|---------------------|---------------------|----------------------------|-----------------|
| OPTI-MIX 350 | 4 | 6 | 2kg | 770 lb/hr / 350 kg/hr | No | 2 | 2 | 2 | 2 | Opt | Opt | Opt | Opt | N/A |
| OPTI-MIX 350 EASY DRAIN | 4 | 6 | 2kg | 770 lb/hr / 350 kg/hr | Yes | 2 | 2 | N/A | N/A | Opt | Opt | Opt | Opt | N/A |

Environmental

| | | |
|----------------------------|-----------|------------|
| Blender Weight | (kg / lb) | 130 / 286 |
| Max Material Temp | (°C / °F) | 70 / 158 |
| Max Optional Material Temp | (°C / °F) | 130 / 266 |
| Mix Chamber Discharge Hole | (mm / ") | 63.5 / 2.5 |



European Office

TSM
Ard Easmuinn, Dundalk,
Co. Louth, Ireland.

Tel: +353-42-9335560
Fax: +353-42-9334422

General Info:
Info@tsm-controls.com
Sales:
sales@tsm-controls.com
Support:
service@tsm-controls.com

North America Regional Office

TSM Inc.
5950-L Shiloh Road East,
Alpharetta, GA 30005, USA.

Tel: (770)886-6630
Fax: (770)886-2395

General Info:
Info@us.tsm-controls.com
Sales:
sales@us.tsm-controls.com
Support:
service@us.tsm-controls.com

Asia-Pacific Regional Office

TSM Taiwan
Siangshang Street
Taichung City, Taiwan,

Tel: +886-4-24728185
Fax: +886-4-24728180

General Info:
info@tsm-controls.com.tw
Sales:
sales@tsm-controls.com.tw
Support:
service@tsm-controls.com.tw

China Regional Office

TSM China
Office Tower, China Hotel
122 Lihua Road, Guangzhou, China

Tel: +86-20-86266016
Fax: +86-20-86266015

General Info:
china@tsm-controls.com
Sales:
china@tsm-controls.com
Support:
china@tsm-controls.com