

Specialists in Gravimetric Blending & Controls

OPTIMIX 150

Advanced Dosing Solutions

TSM



Benefits

- Faster Product Changes
- Continuous Homogeneous Mixing
- Increased Re grind Usage
- Product Consistency
- High Accuracy Dispensing up to 0.01% of batch

User Interface

- Operator Functionality
- Comprehensive Report/Alarm Management
- Built-in Trending & Data History Management
- Industry Standard Communication Protocols

150 OPTIONS

- Extrusion Control
- Flange Adapters
- Offline Blending
- Automatic Cleaning
- Integrated Material Handling

OPTI-MIX 150 Batch Blender can accommodate up to six components while providing throughput rates up to 150 kg/hr (330lb/hr). OPTI-MIX 150 utilizes TSM slide valve design and patented reverse-flight auger mixing technology. This combination provides superior accuracies, blend ratios and mixing homogeneity that is not achievable by competitive systems. All components are blended by weight, based on the preset blend ratios entered on the touch screen. Each component is metered separately into a single weigh hopper, which measures and controls their percentage.



Specialists in Gravimetric Blending & Controls

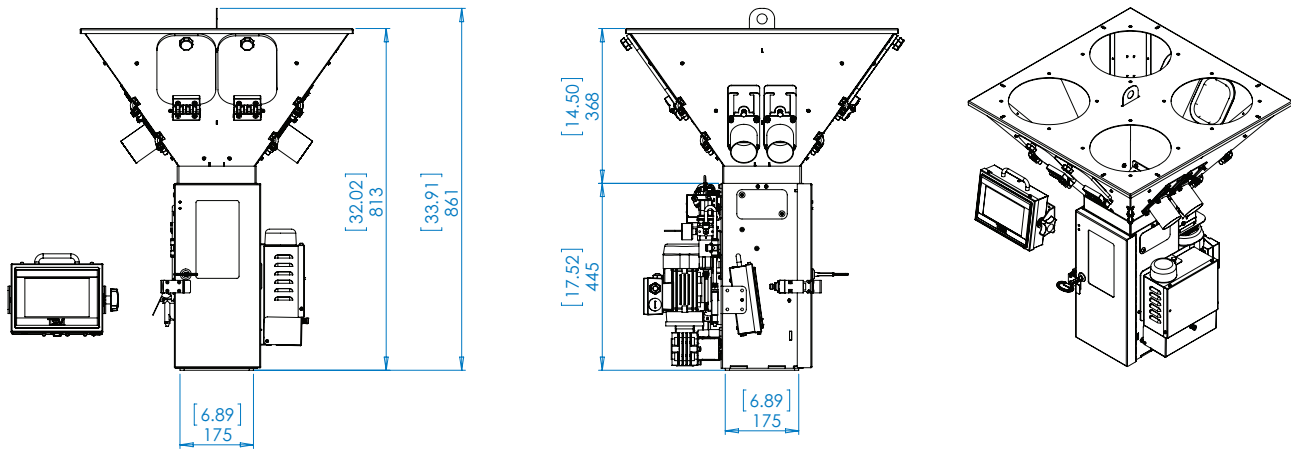
OPTIMIX 150

Advanced Dosing Solutions

BLENDER MODEL	STD. NO. OF COMPONENTS	MAXIMUM NO. OF COMPONENTS	STD. BATCH SIZE	STD. UNIT THROUGHPUT	EASY DRAIN	MAX. NO. OF SIDE FEEDERS	MAXIMUM FEEDERS	MAX. POWDER SIDE FEEDER (SEE NOTES)	MAX. LARGER SIDE FEEDERS	LIQUID DOWN SIDE FEEDER	INTERNAL AUTO-CLEAN	BIN BLOW DOWN FOR CLEAN	MATERIAL BYPASS AUTO-CLEAN	AUTO EASY DRAIN
OPTI-MIX 150	4	6	.8kg	330 lb/hr / 150 kg/hr	No	2	2	2	2	N/A	N/A	N/A	N/A	N/A

Environmental

Blender Weight	(kg / lb)	50 / 110
Max Material Temp	(°C / °F)	70 / 158
Max Optional Material Temp	(°C / °F)	130 / 266
Mix Chamber Discharge Hole	(mm / ")	50 / 2.0



European Office

TSM
Ard Easmuinn, Dundalk,
Co. Louth, Ireland.

Tel: +353-42-9335560
Fax: +353-42-9334422

General Info:
Info@tsm-controls.com
Sales:
sales@tsm-controls.com
Support:
service@tsm-controls.com

North America Regional Office

TSM Inc.
5950-L Shiloh Road East,
Alpharetta, GA 30005, USA.

Tel: (770)886-6630
Fax: (770)886-2395

General Info:
Info@us.tsm-controls.com
Sales:
sales@us.tsm-controls.com
Support:
service@us.tsm-controls.com

Asia-Pacific Regional Office

TSM Taiwan
Siangshang Street
Taichung City, Taiwan,

Tel: +886-4-24728185
Fax: +886-4-24728180

General Info:
info@tsm-controls.com.tw
Sales:
sales@tsm-controls.com.tw
Support:
service@tsm-controls.com.tw

China Regional Office

TSM China
Office Tower, China Hotel
122 Lihua Road, Guangzhou, China

Tel: +86-20-86266016
Fax: +86-20-86266015

General Info:
china@tsm-controls.com
Sales:
china@tsm-controls.com
Support:
china@tsm-controls.com